

1 2 3 4 5 6 7 8

Rev.:	Description:	Date:	Drawn:	Checked:

A

B

C

D

E

F

A

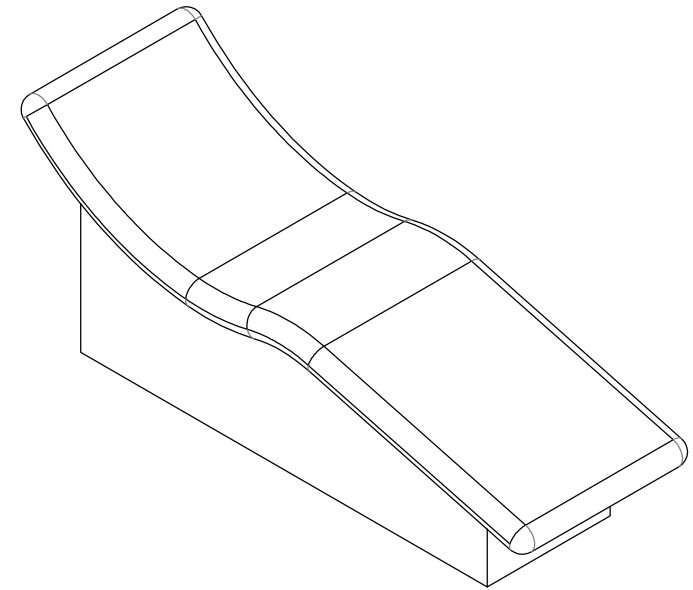
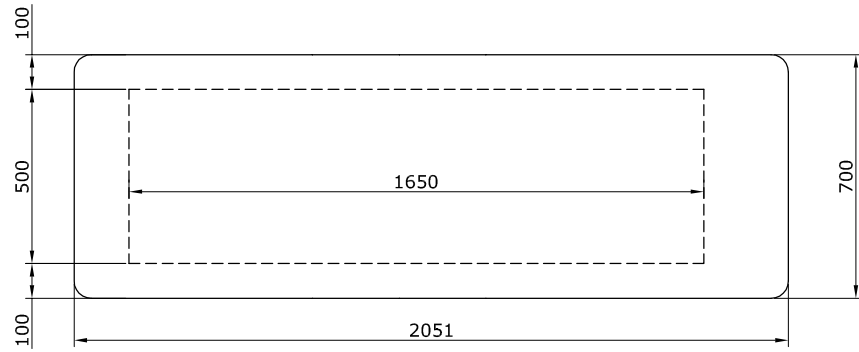
B

C

D

E

F



Drawn:	J.Taneja	09.10.10
Checked:	I.Narusk	13.10.10

Name:

SPA LAMAMISPINK

Viimistlus: Mosaik 10x10mm

Spa Modules



Sheet:

1/1

Size:

A4

Document number:

005

1 2 3 4 5 6 7 8