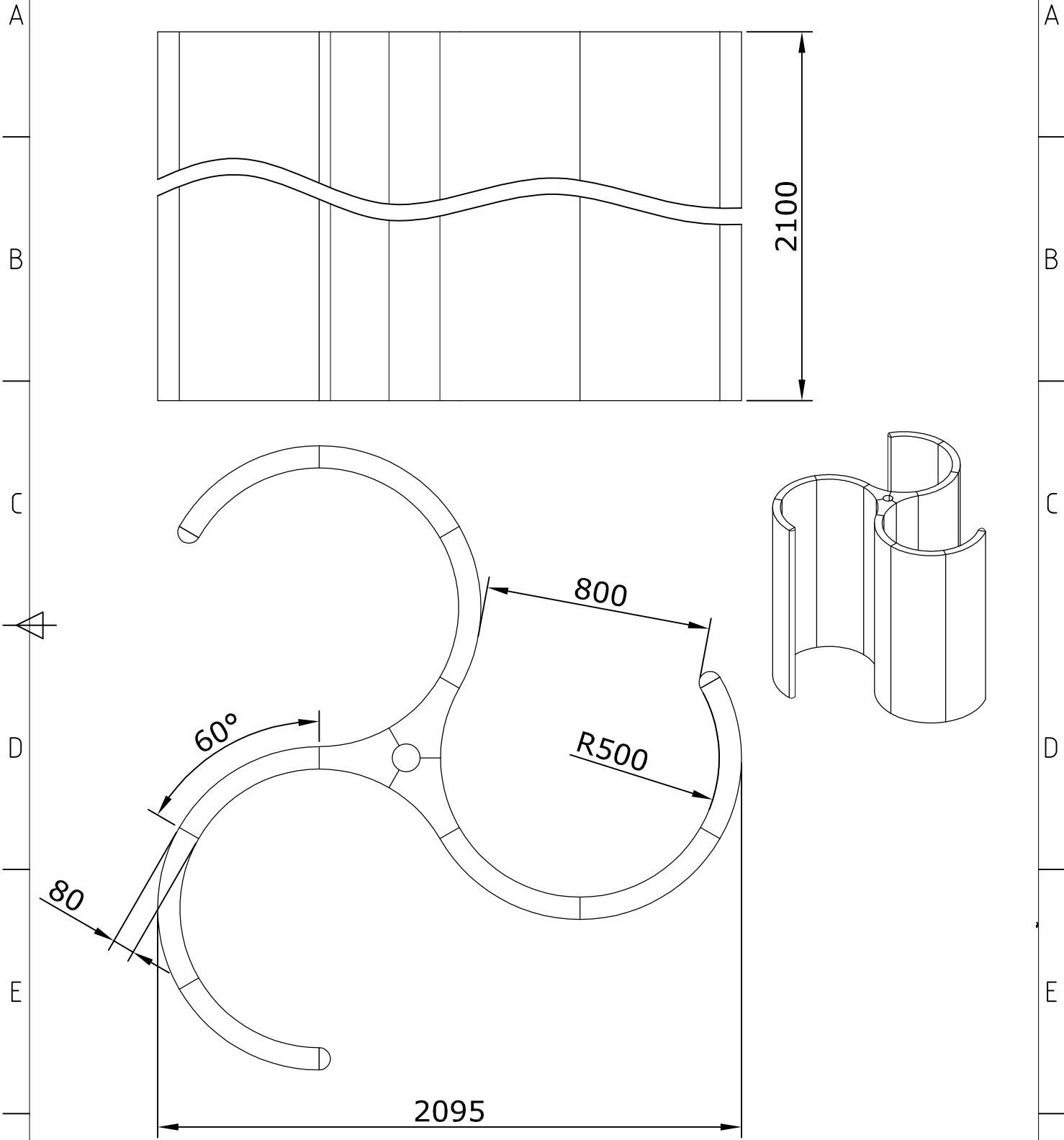


1	2	3	4
Rev.:	Description:	Date:	Drawn: Checked:
A	Three panels removed	26.04.11	IN



Drawn:	I. Narusk	18.04.11	Name:		
Checked:			SHOWER		
Spa Modules					Sheet:
			1/1	A4	Document number:
					003