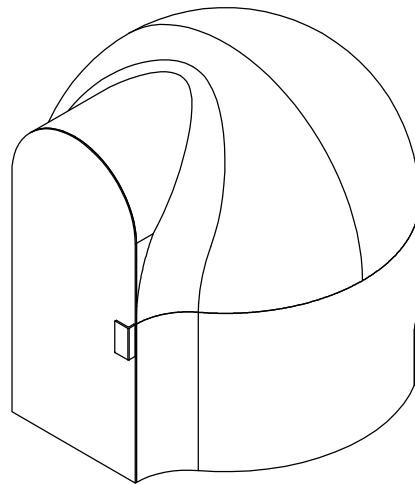
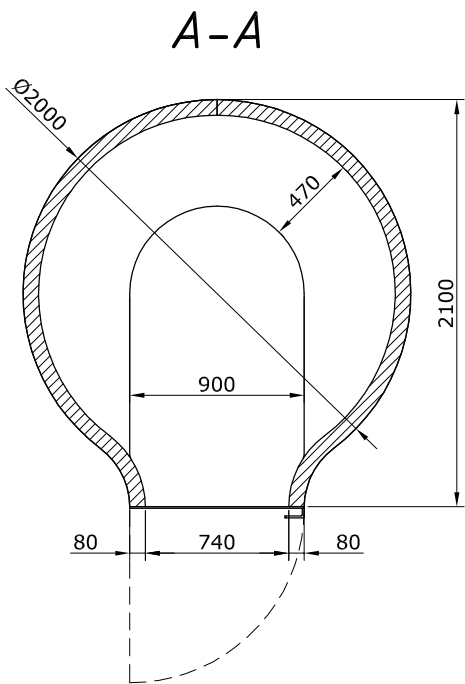
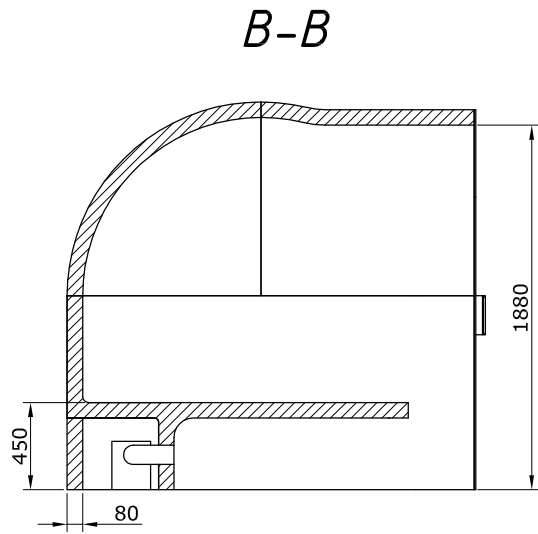
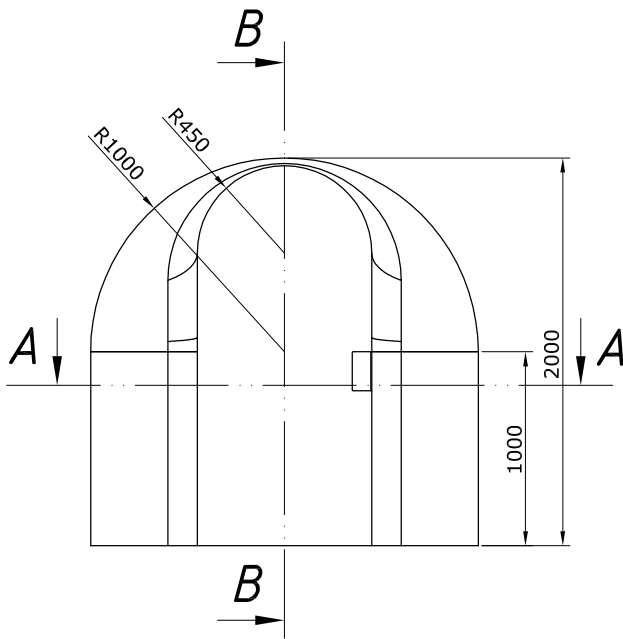



1	2	3	4
Rev.:	Description:	Date:	Drawn: Checked:



Drawn:	<i>I. Narusk</i>	29.06.10	Name:	
Checked:			AURUSAUN	
Spa Modules			Sheet:	Size:
			1/1	A4
			Document number:	001