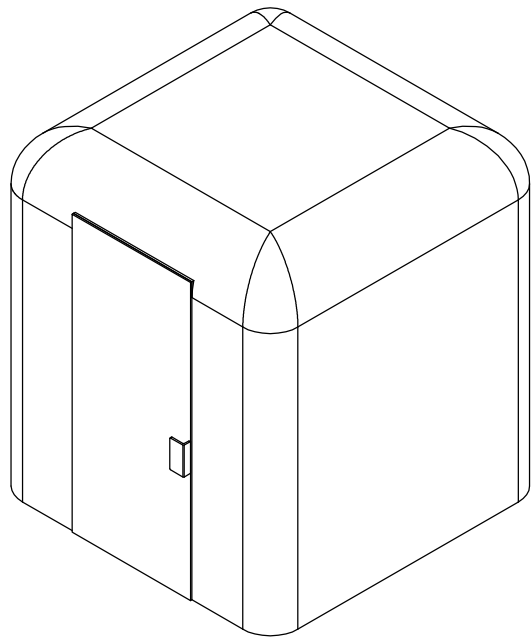
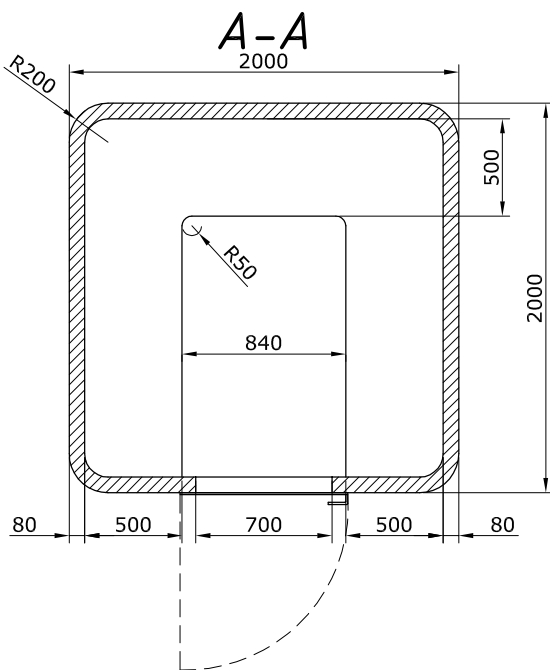
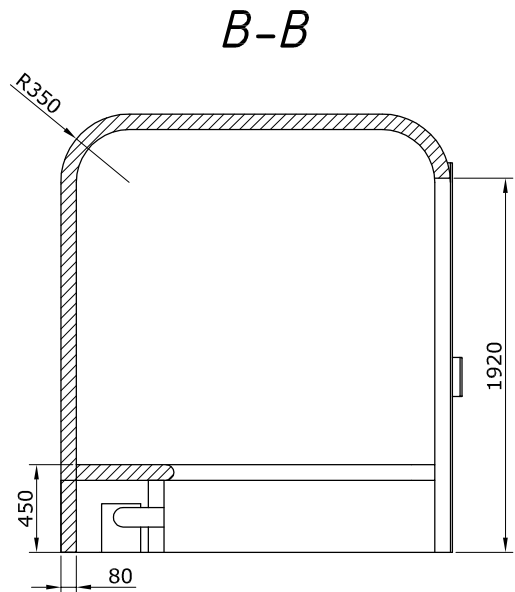
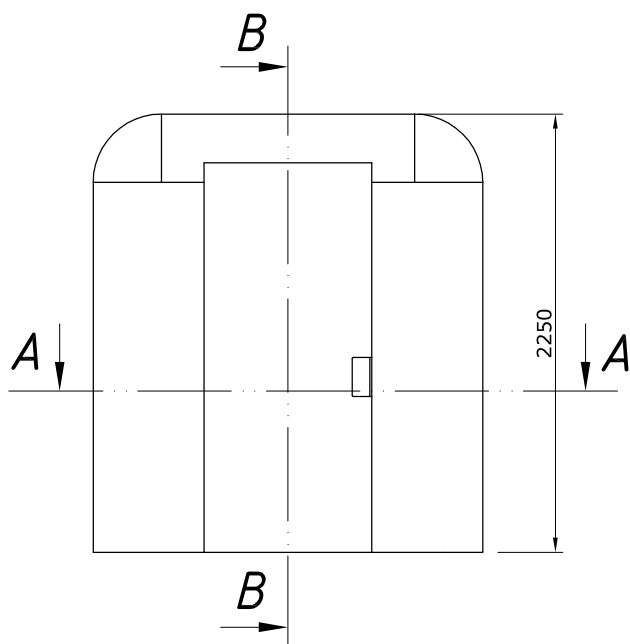


1	2	3	4
Rev.: A	Description: Kõrgus muudetud	Date: 21.07.10	Drawn: I.Narusk Checked:



Drawn: I. Narusk	15.07.10	Name: <b>AURUSAUN II</b>
Checked:		Sheet: <b>1/1</b>
<b>Spa Modules</b>		Size: <b>A4</b>
		Document number: <b>001</b>