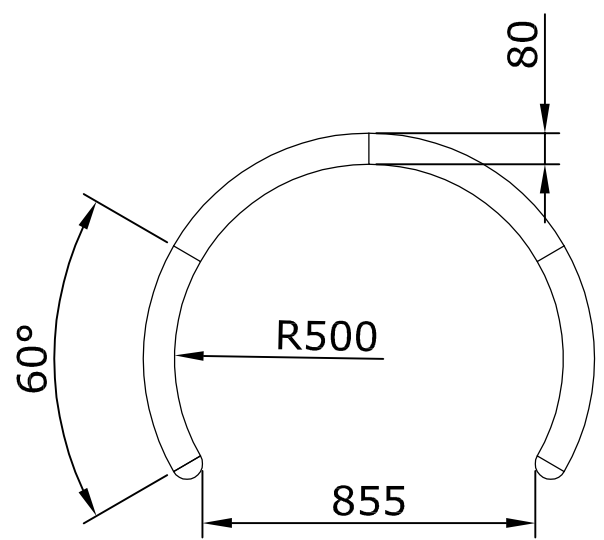
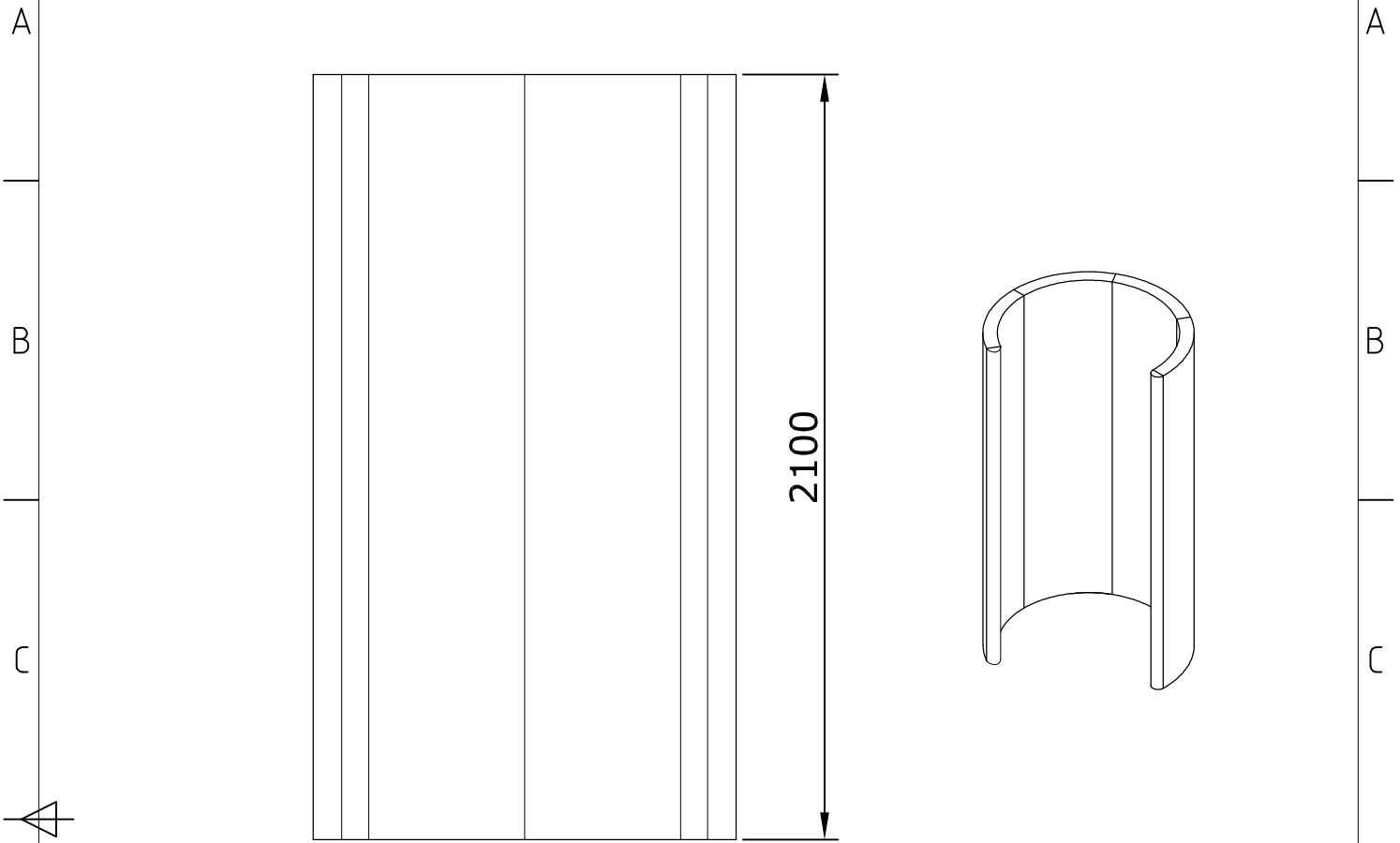


1	2	3	4
Rev.:	Description:	Date:	Drawn: Checked:
A	One panel removed	26.04.11	IN



Drawn:	I. Narusk	18.04.11	Name:	
Checked:			SHOWER	
Spa Modules			Sheet:	Size:
			1/1	A4
			Document number:	001